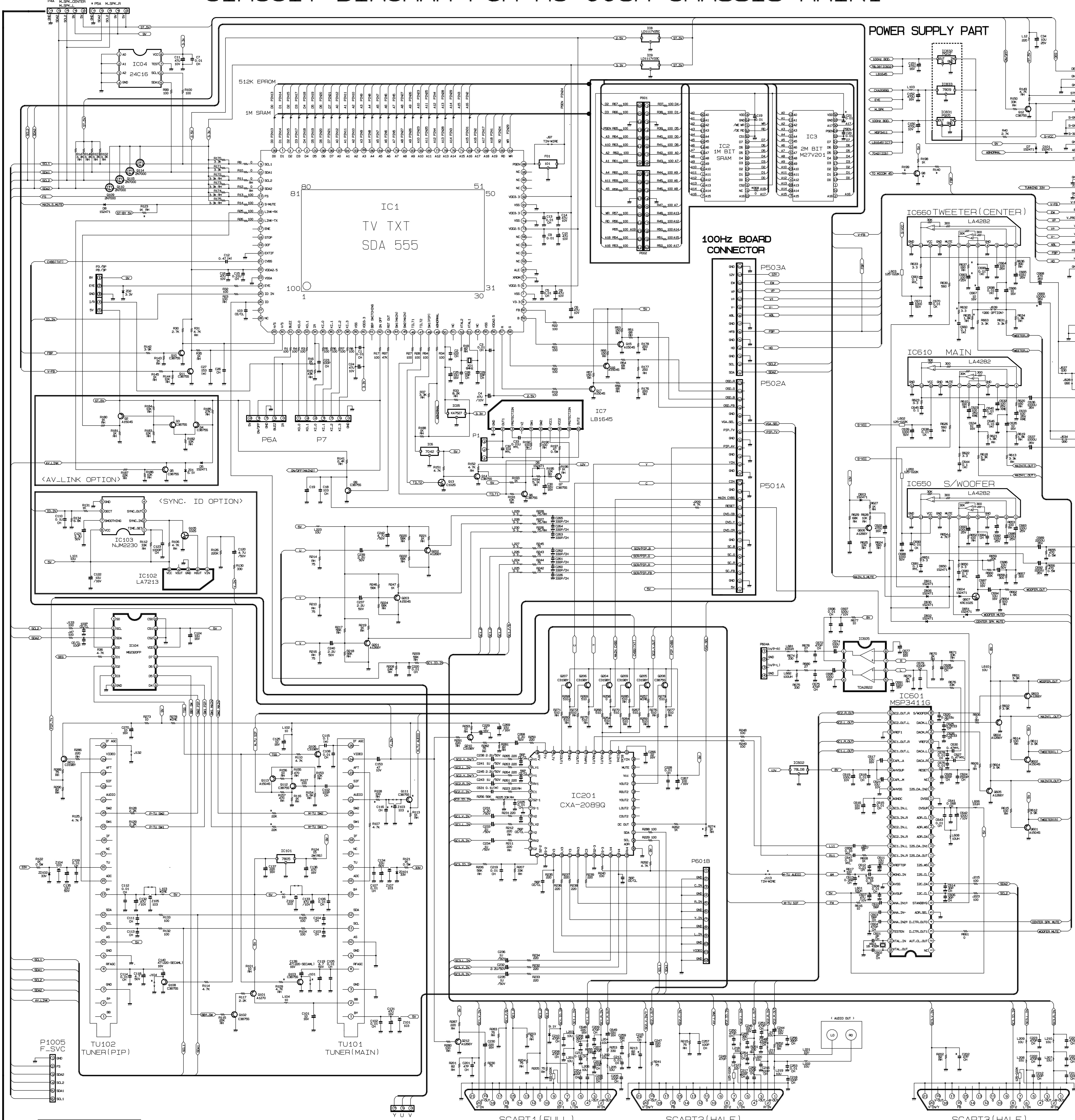
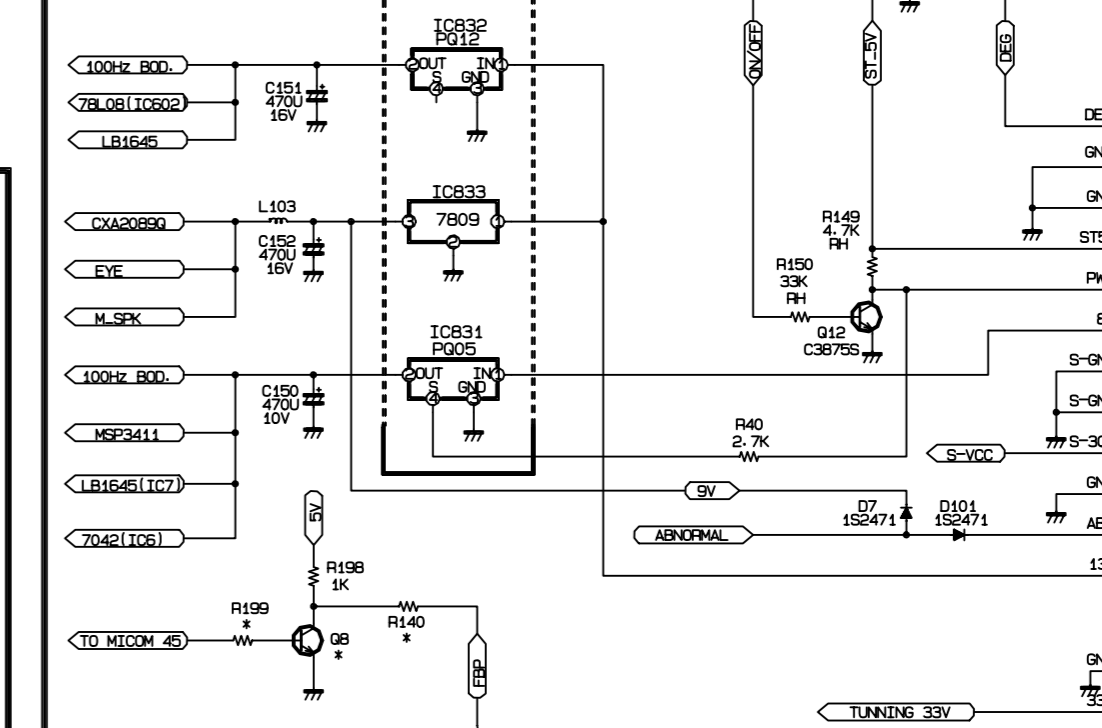


# CIRCUIT DIAGRAM FOR MC-006A CHASSIS MAIN1

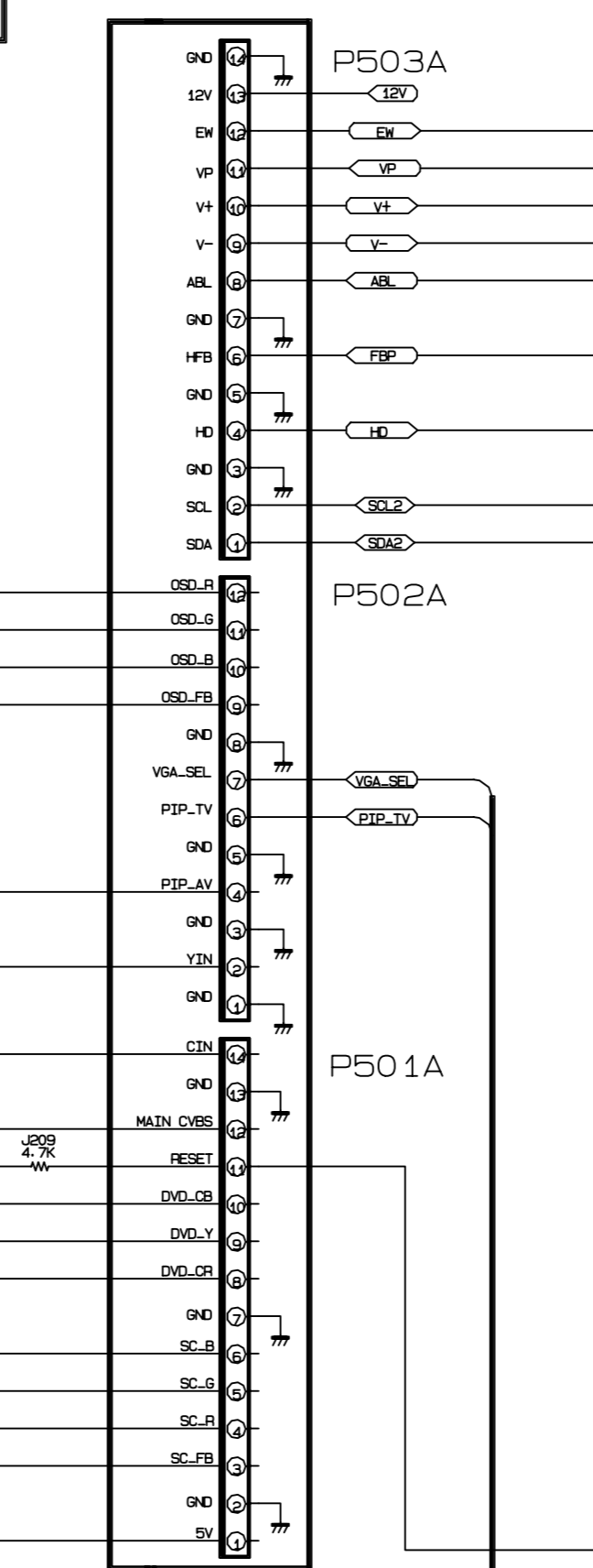
P/N : 3854VA0075A-S1(1/2)  
Date : 2001.02.01



## POWER SUPPLY PART



## 100HZ BOARD CONNECTOR



## MODEL OPTION

1. MAIN2

REF	QTY	DESCRIPTION	REMARK
C200	470PF	CHP	800PF - CHP
C210	470PF	CHP	800PF - CHP
C250	470PF	CHP	800PF - CHP
C251	470PF	CHP	800PF - CHP
C261	470PF	CHP	800PF - CHP
C263	470PF	CHP	800PF - CHP
J113	100	TIN-WIRE	100 - 1/2W
L6B1	100UH	TIN-WIRE	TIN-WIRE
L6B2	100UH	TIN-WIRE	TIN-WIRE
R606	0 - 1/10W	IK - 1/10W	IK - 1/10W
R609	0 - 1/10W	IK - 1/10W	IK - 1/10W
R617	100 - 1/2W	TIN-WIRE	100 - 1/2W

