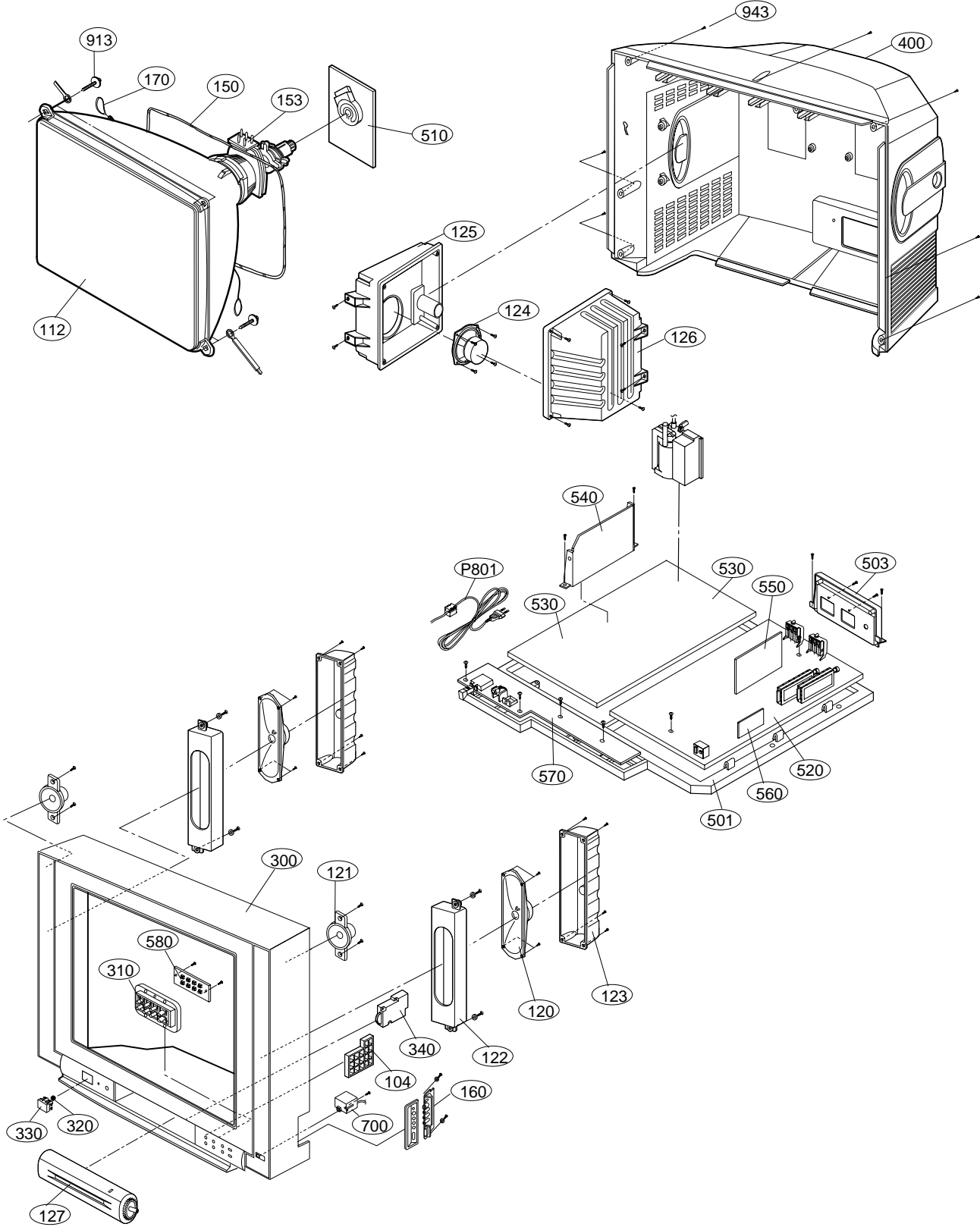


# EXPLODED VIEW



# EXPLODED VIEW PARTS LIST

The components identified by mark  $\Delta$  is critical for safety.  
Replace only with part number specified.

LOCA. NO	PART NO	DESCRIPTIONS
104	4980V00047B	SUPPORTER,PCB
$\Delta$ 112	6341V29005A	CPT ASSY,2426GF239AT 100HZ DY
120	6400VA0025A	SPEAKER,C163P01K1450 ESTEC 8 OHM 15/25
121	120-C76G	SPEAKER,TWEETER C050TX-357K14 8 OHM 10/
122	3110V00084A	CASE,MIDDLE SPEAKER
123	3550V00117A	COVER,MIDDLE SPEAKER
124	120-C78G	SPEAKER,WOOFER C130R06K1457 8 OHM 10W/
125	3110V00080A	CASE,WOOFER
126	3550V00103A	COVER,WOOFER
127	6401VF0035B	SPEAKER ASSY,DOME CENTER
$\Delta$ 150	150-201S	COIL,DEGAUSSING CU 29" 440T 102 OHM
$\Delta$ 153	6150Z-1340F	DY,DC29SLFL2
$\Delta$ 170	170-844K	CPT EARTH 29" 98T
300	3091V00281B	CABINET ASSY
310	5020V00427A	BUTTON,CONTROL
320	320-070G	SPRING,COIL
330	5020V00426A	BUTTON,POWER
340	4470V00019A	GEAR ASSY, MOVING CTR SPK
400	3809V00207B	BACK COVER ASSY
501	4810V00259A	BRACKET,MAIN
503	4810V00261A	BRACKET,REAR A/V HIPS 2 PHONE
	4810V00261C	BRACKET,REAR A/V HIPS 2 SCART
510	6871VSM738A	PWB ASSY,CPT MC006A CPT&VM
520	6871VMM637A	PWB ASSY,MAIN (2 PHONE)
	6871VMM637B	PWB ASSY,MAIN (2 SCART)
530	6871VDM113A	PWB ASSY,MAIN2 29",W/O ST-BY,W-RAN
540	6871VSM726A	PWB ASSY,WIDE RANGE
550	6871VSM617A	PWB ASSY,DIGIT 100HZ
560	6871VSM694A	PWB ASSY,MEMORY
570	6871VSM685A	PWB ASSY,CONTROL
580	6871VSM686A	PWB ASSY,TACT-SWITCH
600	6871VSM620A	PWB ASSY,SIDE-A/V
700	0IGL120104A	IC,CDS SENSOR MODULE(P1201-04)
943	1PTF0403116	SCREW,TAP TITE D4.0 L16.0
$\Delta$ P801	174-322D	CORD,POWER W/FILTER L=300(179B)VDE